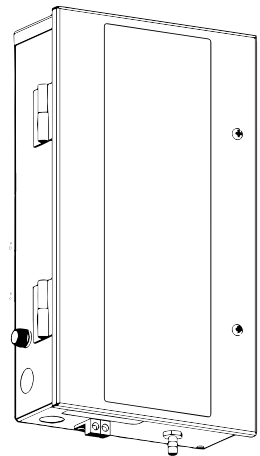
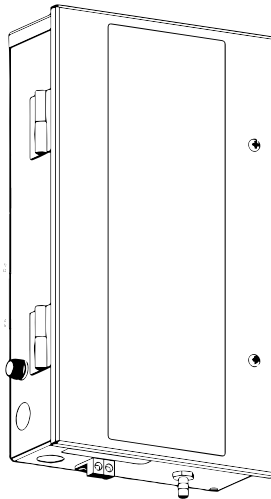
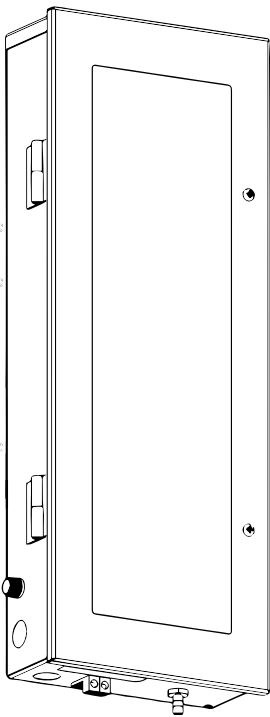




DEL OZONE 25/50/100 INSTALLATION INSTRUCTIONS & PRODUCT MANUAL

FOR MODELS
DEL Ozone 25, DEL Ozone 50, DEL Ozone 100



ENGLISH 1

CANADIEN FRANÇAIS 19

ESPAÑOL 37



C-M-P.COM/DEL

4-2162-01 Rev.G

IMPORTANT INFORMATION

- Read this manual completely before attempting installation. Failure to install in accordance with the installation instructions could void warranty and result in injury or death.
- The DEL Ozone generator electrical connection is to be attached to the pool controls, be sure the pool controls are protected by a Ground Fault Circuit Interrupter (G.F.C.I.). If the DEL Ozone generator is connected to an independent electrical supply, then a G.F.C.I. must be installed between the DEL Ozone generator and the electrical supply.
- **WARNING:** To reduce the risk of electrical shock, this device must be mounted such that it is inaccessible to a person in the pool.
- A pressure wire connector is provided on the outside of the unit, marked "BONDING LUGS". Connect a minimum No. 6 AWG (13.3 mm²) solid bonding conductor between this point and any metal equipment, metal enclosures of electrical equipment, metal water pipes, or conduit within five (5) feet (1.5m) of the unit or as needed to comply with local requirements.
- Install at least 5 feet (1.5 meters) from wall of pool using nonmetallic tubing. Install ozone generator no less than one (1) foot above maximum water level to prevent water from contacting electrical equipment. Install in accordance with the installation instructions.
- Follow all applicable electrical codes.
- **ELECTRIC SHOCK HAZARD:** Be sure to turn power OFF and disconnect from power source before any routine maintenance is performed. Failure to do so could result in serious injury or death.
- The DEL Ozone generator must be installed in an outdoor location, or indoors in a forced air ventilated room, and installed so that the orientation is exactly as shown in Figure 1. Install to provide water drainage of generator to protect electrical components.
- Mount the DEL Ozone generator so that it is inaccessible to anyone in the pool. Never attempt any servicing while unit is wet.
- Plastic ozone supply tubing is supplied with the DEL Ozone generator. Never replace this tubing with metal tubing.

- **WARNING:** Short-term inhalation of high concentrations of ozone and long term inhalation of low concentrations of ozone can cause serious harmful physiological effects. DO NOT inhale ozone gas produced by this device.
- For your safety, do not store or use gasoline, chemicals or other flammable liquids or vapors near this or any other appliance.
- **WARNING:** To reduce the risk of injury, do not permit children to use this product unless they are closely supervised at all times.
- A terminal marked G is located inside the supply terminal box or compartment. To reduce the risk of electric shock, this terminal must be connected to the grounding means provided in the electric supply service panel with a continuous copper wire equivalent in size to the circuit conductors supplying this equipment.
- At least two lugs marked "BONDING LUGS" are provided on the external surface or on the inside of the supply terminal box or compartment. To reduce the risk of electric shock, connect the local common bonding grid in the area of the hot tub or spa to these terminals with an insulated or bare copper conductor not smaller than No. 6 AWG.

SAVE THESE INSTRUCTIONS!

TABLE OF CONTENTS

SECTION 1 Overview

1A. Description.....	1
1B. Specifications	1

SECTION 2 Installation

2A. Location	1
2B. Wall Mounting.....	2
2C. Electrical.....	3
2D. Plumbing	3

SECTION 3 Operation

3A. General.....	7
3B. Initial System Start-Up.....	7
3C. Normal Operation.....	7
3D. System Shut-Down.....	7
3E. Water Chemistry	8

TABLE OF CONTENTS

SECTION 4 Maintenance & Service

4A. System Electromechanical Overview.....	8
4B. System Maintenance	8
4C. Generator Servicing - Refer to Figure 4.....	9
4D. Troubleshooting.....	10
4E. Contact Information	11

Section 5 Replacement Parts

5A. Ordering Information.....	12
5B. Standard replacement parts list:.....	12

Section 1 Overview

1A. Description

The DEL Ozone generators described in this manual are designed to provide the benefits of ozonated water in an environmentally safe and effective manner. The high quality, specially engineered components ensure efficient ozone output and reliable performance.

As a result of proper use of the DEL Ozone generators, unpleasant effects of traditional chemical use are virtually eliminated. The DEL Ozone generators are safe and harmless to your equipment when installed properly.

1B. Specifications

Power Requirements:

Ozone 25	110-250V, 0.10A max, 50-60 Hz
Ozone 50	110-250V, 0.20A max, 50-60 Hz
Ozone 100.....	110-250V, 0.31A max, 50-60 Hz

Location Requirements:

Mounting: Wall mount in a clean, protected area.

Ambient Temp.: 30°F - 120°F (0°C - 50°C)

2A. Location

The DEL Ozone units are designed for wall mounting. Mount generator in a clean, protected area, either indoors or outdoors (preferably out of direct sunlight). Locate generator out of reach of sprinklers or drainage spouts. Allow sufficient access for maintenance, all tubing, and electrical wires. Ozone generator should be installed at least (not less than) one foot above the maximum water level.

Note: Remove and discard the foam packaging from inside the enclosure before mounting the unit.

Section 2 Installation

2B. Wall Mounting

1. Open the Enclosure Door and locate the three mounting holes on the back wall of the Enclosure. There will be two holes located near the top on the left and right and one located in the center near the bottom. Refer to Figure 1 for clarification.
2. Install screws (or other hardware appropriate for the mounting surface) through the two mounting holes near the top of the enclosure. Install the last screw through the mounting hole near the bottom of the enclosure. Mounting hardware must be driven until the head fully contacts the enclosure wall. Mounting hardware head must not be smaller than 0.25 inches (6.3 mm) in diameter and the threads of the hardware must be smaller than 0.25 inches (6.3 mm) in diameter.

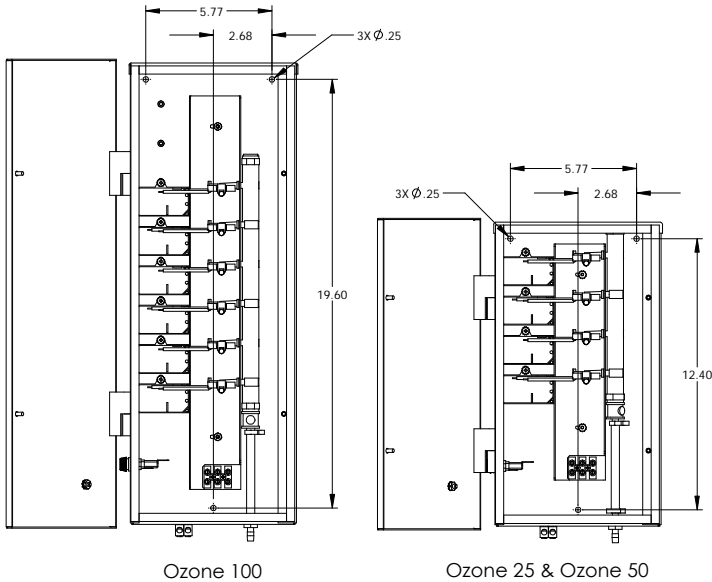


Figure 1: Mounting Hole Dimensions

2C. Electrical

2C-1. Main Power

This device is intended to be installed by a certified electrical technician, in accordance with local electrical codes. Connect the DEL Ozone generator to the pool timing clock so that the DEL Ozone generator operates simultaneously with the pool pump. The DEL Ozone generator has three available Knockouts for a 1/2 inch conduit fitting, two on each side and one on the back. Remove only the ideal Knockout and install the proper conduit fitting. Open the Enclosure and locate the Terminal Block. Connect Line 1, Line 2, and Ground to the Terminal Block as indicated by the label on the inside of the enclosure door. Refer to the IMPORTANT SAFETY INSTRUCTIONS at the beginning of this manual for important wiring information.

2C-2. Earth Grounding Lug

Using an 6 AWG (13.3 mm²) conductor, connect the Grounding lug on the bottom of the DEL Ozone generator, marked to an appropriate earth contact.

2D. Plumbing

Ozone gas is introduced to the pool circulation line using a venturi injector. Suction developed by the venturi allows the DEL Ozone generator to operate safely under vacuum.

Note: Water must not travel back to the ozone generator. Mounting the unit above the water line and scheduled check valve replacement will keep water from entering the DEL Ozone generator.

2D-1. Plumbing the Injector Manifold

The Injector Manifold must be installed in the pool's main return line after all other pool equipment (pump, filter, heater, and cleaner). Figure 2 shows the most basic installation. For installation with additional oxidizers and pool cleaners, refer to Appendix A.

Section 2 Installation

Note: The Injector Manifold should be installed above water level whenever possible. If the Injector Manifold is installed below water level, take proper precautions to prevent water from draining through the injector and damaging the surrounding area. For example, use clamps on all tube connections, run ozone tubing above water level and provide adequate drainage around the pool equipment.

Locate an appropriate section of the return line and install the injector manifold with PVC cement. Be very careful to observe and follow the correct water flow direction (as indicated by the arrow on the injector manifold).

2D-2. Water Check Valve

If the pool equipment is mounted above the water line, a check valve must be installed between the pump outlet and the Injector Manifold. This will prevent the pump from draining and losing its prime (when not in use).

Note: If a 1/3# DELCheck™ is used, do not install immediately after chlorine feeders.

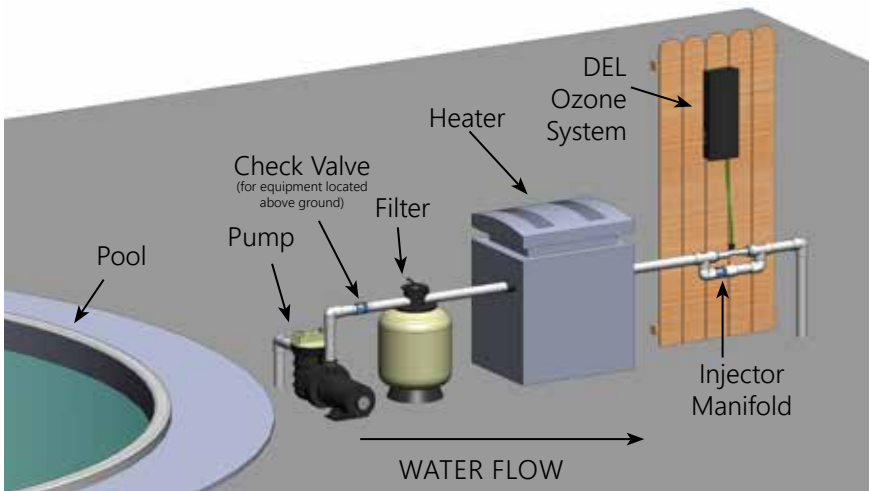


Figure 2: Injector Manifold Mounting Location

Section 2 Installation

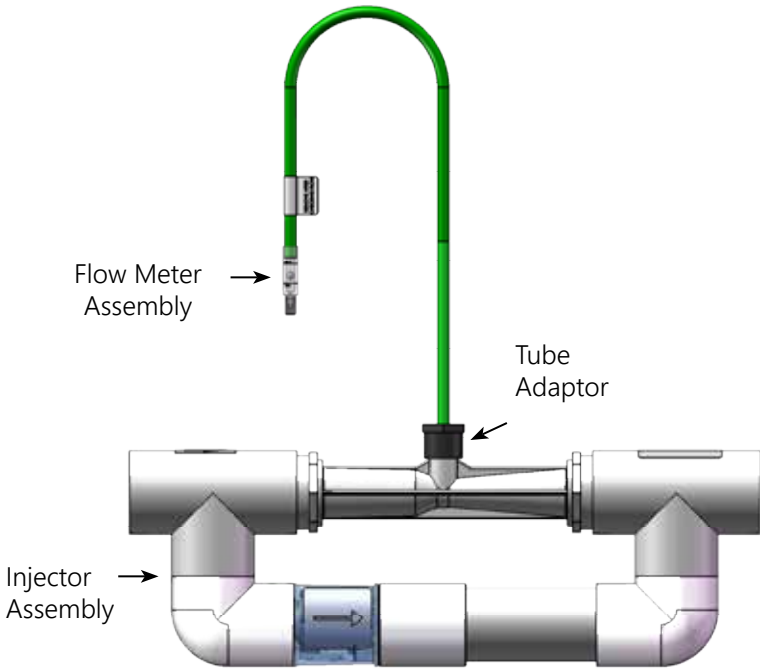


Figure 3a: Flow Meter Assembly

2D-3. Pressure Test

If a pressure test is required, it should be performed prior to connecting the Ozone Gas Line. Install the 3/4" pipe cap provided onto the Injector for the pressure test.

2D-4. Flow Test - Refer to Figure 3a.

1. Install Tube Adapter on injector. Use Teflon thread tape as needed.
2. Connect the Flow Meter Assembly to the Tube Adapter.
3. Hold the Flow Meter Assembly so that the clear plastic chamber is vertical with the tubing on top.
4. Turn on the pool's circulation system as this allows the Injector Assembly to pull a vacuum. Under normal operation, the ball in the Flow Meter Assembly will be floating in between its Max and Min line. Under worst-case system conditions the flowmeter ball should indicate at least a small amount of air flow. Flow may be adjusted as described below.

Section 2 Installation

Adjustable Injector Manifold: Gas flow can be controlled by adjusting the Valve on the Manifold. Close the valve to increase gas flow, open the Valve to decrease gas flow.

Rigid Injector Manifold: This Manifold is equipped with a DELCheck™ spring loaded valve. It cannot be adjusted, but provides a wide operating range. If more gas flow is necessary, verify that other valves in the system are not inhibiting flow through the Manifold. If you experience complications see TROUBLE SHOOTING Section 4D.

2D-5. Ozone Tube Connection - Refer to Figure 3b.

After the system has been set for the correct flow rate, Remove the Flow Meter Assembly and connect the Ozone Tube between the Ozone Outlet Barb on the DEL Ozone generator, and the Tube Adapter on the Injector Assembly. Ensure that the Check Valve arrow is pointing toward the injector. If equipment is above water level, cut off the excess tubing so that the line from the injector to the DEL Ozone generator is as straight as possible. If equipment is below the water level, run tubing to a point above water level. Ensure that all tube connections are secured with clamps.

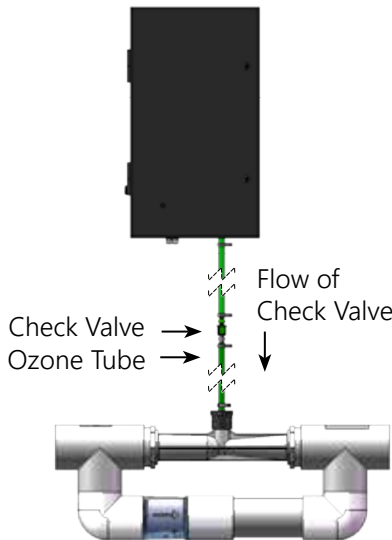


Figure 3b: Ozone Tube Assembly

3A. General

To achieve optimal performance from the ozone system, the pool must be as clean as possible to start with.

1. Backwash or clean filters one day before starting the ozone generator.
2. Superchlorinate pool water using a chlorine based shock treatment prior to ozone system start-up.
3. Test pool chemistry and adjust pH between 7.4 and 7.6. Adjust total alkalinity between 80 and 120 ppm.
4. Run pool filtration continuously for 24 hours prior to starting ozone system.

3B. Initial System Start-Up

Upon completing all of the generator system connections and cleaning the pool as outlined above, you are ready to start the ozone generator.

1. Check electrical connections.
2. Check for proper voltage.
3. Turn on pool circulation system.

3C. Normal Operation

1. Indicator Lights: When the pool's circulation system starts, the DEL Ozone generator will power up and the green indicator lights on the ozone cells will illuminate. Open the Enclosure Door to verify that all indicator lights are green. The Ozone 25, Ozone 50, and Ozone 100 should show 2, 4, and 6 indicators, respectively.

3D. System Shut-Down

The following sequence of steps must be followed for servicing or for storage.

1. Disconnect the power to the ozone generator.
2. After the generator has been shut down, the pool water circulation pump may be turned off.
3. If the system is to be shut down for an extended period, disconnect the Ozone Tube from the unit.

3E. Water Chemistry

Regular chlorine or bromine testing should be performed as normal. Ozone will be eliminating the majority of contaminants. Therefore, only a small amount of chemicals will need to be added - just enough to maintain a minimum of residual level of 0.5 - 1.0 ppm chlorine or 1.0 - 2.0 ppm bromine. Ozone is pH neutral thus minimizing pH adjustments

4A. System Electromechanical Overview

4A-1. Ozone Module

The DEL Ozone Generators are constructed with high voltage plasma gap Ozone Modules. The Ozone 25, Ozone 50, and Ozone 100 have 2, 4, and 6 modules, respectively. Each module has an indicator light that signals it's working properly. If the light goes out, replace the module.

4B. System Maintenance

4B-1. The green indicator lights on the Ozone Modules located inside the enclosure indicates that the Power Supply is operating properly. When an indicator light goes out, replace the corresponding Ozone Module. Regularly check inside the unit to verify all the Ozone Modules are working.

4B-2. Each Ozone Module should be replaced after 15,000 hours of operation. Even if the green indicator light(s) are glowing, the Ozone Module may be producing less ozone after this period of time due to contamination within the plasma gap ozone chamber.

4B-3. Regularly reinstall and check the flowmeter for proper flow. Always remove the flow meter after confirming proper flow. Inspect Ozone Tube for cracks or wear and replace as necessary.

4B-4. Replace the Ozone Tube every year or sooner, if needed. If there is evidence of water leaking past the Check Valve toward the DEL Ozone generator, shut down the unit immediately and replace the Ozone Tube and Check Valve. If water entered the DEL Ozone generator, allow the unit to dry completely before restarting. Evidence of water in the DEL Ozone generator may void the warranty.

Section 4 Maintenance & Service

ENGLISH

WARNING: Do NOT touch the ends of the Ozone Tube when replacing. Trace amounts of nitric acid may be present and could prove harmful if touched or ingested.

4B-5. While operating, check to see if bubbles are entering the pool. If an MDV is installed, check the MDV for bubbles.

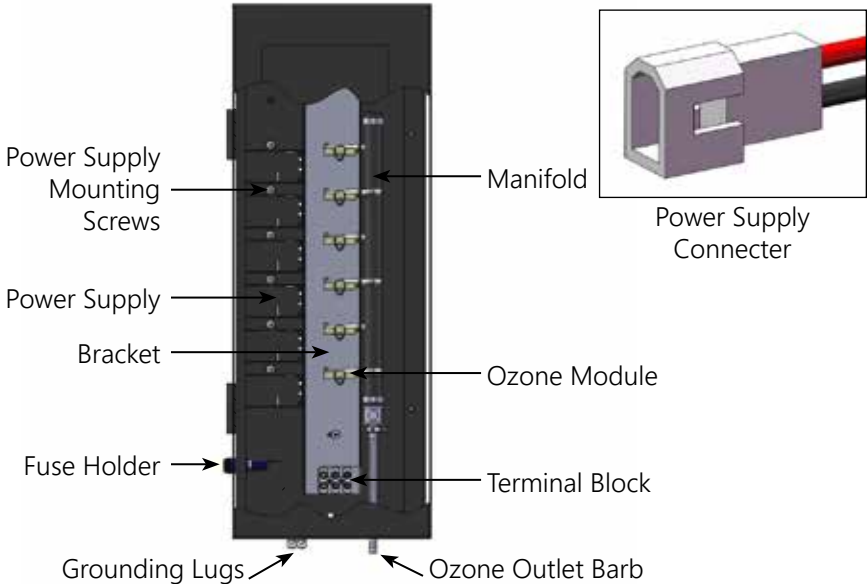


Figure 4: DEL Ozone Overview

4C. Generator Servicing - Refer to Figure 4

4C-1. Opening the Unit

The DEL Ozone generator may be serviced on the wall without disconnecting any of the plumbing or wiring. Simply remove the two screws on the right side of the Enclosure Door to open the unit.

4C-2. Ozone Module Replacement

The Ozone 25, Ozone 50, and Ozone 100 have 2, 4, and 6 Ozone Modules, respectively. When the green indicator lights go out, the corresponding Ozone Module will need to be replaced.

To replace an Ozone Module:

1. Disconnect the Ozone Module from the Manifold and pull the Ozone Module from the Bracket so it hangs by its wires.
2. Locate the Power Supply Connector and disconnect it from the wire harness.
3. Remove the Power Supply Mounting Screw; make sure to note plastic spacer and the star washer positions for proper reassembly. The Ozone Module and Power Supply can now be removed from the unit.
4. Install the new Ozone Module by reversing the above steps.

4D. Troubleshooting

Knowledge of electrical applications is required for trouble shooting. Contact a certified electrician if you are unsure of your ability to service the equipment. Improper servicing will void generator warranty. If any condition persists contact DEL technical support (see section 4E)

4D-1 Symptom: Module Indicator Lights not lit when pool system is on.

1. No power to the ozone generator from the power source:
 - a. Check circuit breaker at the power distribution box.
 - b. Check for loose connections or wiring breaks from the power distribution box to the generator.
 - c. The fuse in the unit has blown and needs to be replaced. The fuse is a replaceable glass, .25" x 1.25", 1 amp, slo-blo type.
2. G.F.C.I. has tripped.
 - a. Check power cord and reset G.F.C.I.

4D-2 Symptom: Flowmeter not indicating flow.

1. Injector not supplying adequate suction.
 - a. Check pump, filters, and skimmers to ensure water is flowing through injector.
 - b. Ensure that there is no debris clogged inside the injector.
2. Tubing is impaired.
 - a. Check for kinks or clogs.
 - b. Check for cracks or cuts.

Section 4 Maintenance & Service

- c. Check connections.
- d. Check that the check valve is installed with the arrow pointing towards the injector.
- e. Be sure that the check valve has not become fouled with debris. Disconnect the Ozone Tube from the injector. With the pump running, cover the end of the injector with your thumb, and feel for suction. If there is sufficient suction without the check valve, replace the check valve with a new one.

4D-3 Symptom: Ozone Tube becomes yellow/brown and brittle.

- 1. The high concentration of ozone created by the DEL Ozone family of ozone generators, as well as environmental conditions like UV sunlight will tend to deteriorate the supplied Ozone Tube. This is normal and acceptable, as long as the tubing doesn't become cracked and leak. Because of this, the Ozone Tube and Check Valve should be replaced every year.

4D-4 Symptom: Can't get ball to stay in the center of flowmeter.

- 1. The flowmeter provided is a general tool to setup flow to the ozone generator. Flow will vary depending on pressures across the injector, and therefore can be affected by things such as filter or strainer loading. The ozone generator's efficiency is optimized near the center of the flow meter. The DEL Ozone generator will still perform well at flows above and below the recommended range. However, the ball must be moving and not stuck on the bottom of the flowmeter.

4E. Contact Information

For technical assistance:

- Call: (800) 676-1335
- Email: o3info@delozone.com

5A. Ordering Information

To locate a dealer nearest you call (800) 676-1335 or visit www.delozone.com.

Be prepared with the following information:

- Name
- Date Purchased
- Address
- Dealer Name
- Model #

5B. Standard replacement parts list:

1. Ozone Module Kit..... 9-1056-01
Each ozone module should be replaced after 15,000 hours of use.
2. Ozone Tube Assembly.....9-0770-01
The Ozone Tube Assembly (includes Ozone Tube and Check Valve) must be replaced once a year.

Note: The warranty is void if the parts listed above are not replaced at recommended intervals.

APPENDIX A

DEL Ozone Installation – Plumbing

The DEL Ozone series generators work under vacuum. The Injector Manifold draws the ozone/air gas mixture out of the ozone generator and mixes it into the water leaving behind some un-dissolved gas bubbles. These bubbles can affect certain pool system components, so care must be taken when installing the ozone Injector Manifold.

The diagrams below cover common plumbing configurations. For other configurations or installation questions, please call DEL Residential Pool & Spa Technical Support at 1 (800) 676-1335, or e-mail: warrantysupport@delozone.com

- ❶ **Pool Cleaners** (i.e. Polaris 360): Always plumb the cleaner t-fitting before the DEL Ozone injector to prevent gas from affecting the operation of the cleaner.
- ❷ **Salt Chlorinator:** A Salt Chlorinator may be plumbed on either side of the DEL Ozone injector.
- ❸ **Chlorine Tab / Mineral Erosion Feeder:** Always plumb the DEL Ozone injector after any erosion feeder to avoid gas accumulating in the feeder.
- ❹ **In-Floor Cleaning System:** The DEL Ozone Injector must be on a different pool return leg than any In-Floor Cleaning system to avoid excess back pressure on the Injector. This will also prevent gas intrusion and high oxidizer levels in zone valve and cleaner heads.
- ❺ **Water Features:** Avoid plumbing the Injector Manifold into any leg with excessive back pressure such as those going to fountains, restrictive wall fittings, etc.

Diagram 1: Pool Only

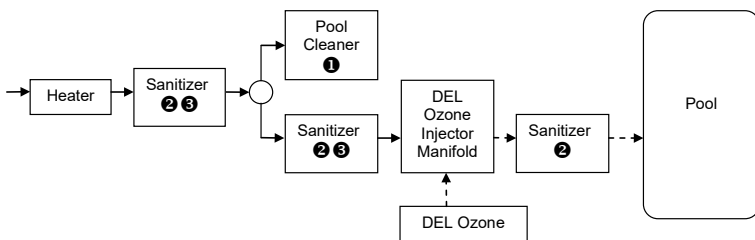
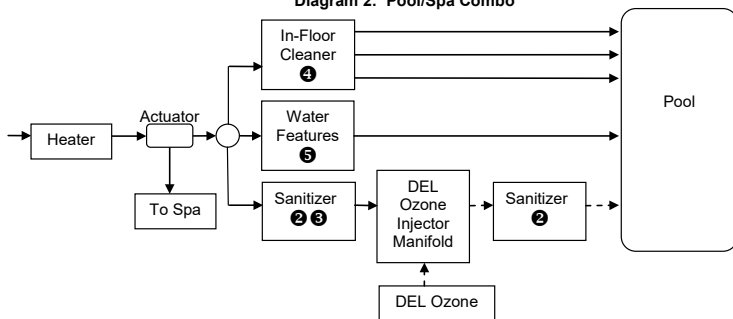


Diagram 2: Pool/Spa Combo



INSTRUCTIONS IMPORTANTES

- Lisez ce manuel en entier avant l'installation. Ne pas suivre les instructions d'installation pourrait annuler la garantie, et entraîner des blessures ou la mort.
- La connexion électrique de DEL Ozone doit être reliée aux commandes de la piscine. Vérifiez que les commandes de la piscine sont protégées par un disjoncteur de fuite à la terre. Si le DEL Ozone est connecté à une alimentation électrique indépendante, un disjoncteur de fuite à la terre doit être installé entre le DEL Ozone et l'alimentation électrique.
- **AVERTISSEMENT:** pour diminuer le risque de choc électrique, cet appareil doit être monté de telle manière qu'il est inaccessible à une personne dans la piscine.
- Un connecteur de fil de pression est prévu sur le côté extérieur de l'unité, et marqué "cosse d'attache". Connectez un conducteur solide de liaison AWG Numéro 6 au minimum (13,3 mm²) entre ce point et tout équipement métallique, boîtiers métalliques de l'équipement électrique, conduites d'eau métalliques ou conduit dans les cinq (5) pieds (1,5 m) de l'unité ou au besoin pour se conformer aux exigences locales.
- Installez-le à au moins 1,5 mètres de la paroi de la piscine en utilisant des tubes non métalliques. Installez le générateur d'ozone à au moins 0,3 mètres au-dessus de niveau d'eau maximum afin d'éviter que l'eau n'entre en contact avec l'équipement électrique. Installez-le conformément aux instructions d'installation.
- Suivez tous les codes électriques en vigueur.
- Danger de choc électrique. Assurez-vous de l'éteindre et le débrancher de toute alimentation électrique avant que tout entretien de routine ne soit effectué. Sinon, cela pourrait entraîner des blessures graves ou la mort.
- Le DEL Ozone doit être installé à l'extérieur, ou à l'intérieur dans une salle bien ventilée, et il doit être installé de manière à ce qu'il soit orienté exactement selon l'illustration de la Figure 1. Installez-le de manière à ce que le générateur puisse vidanger l'eau afin de protéger les composants électriques.
- Montez le DEL Ozone de manière à ce que personne n'y ait accès dans la piscine. Ne tentez jamais d'effectuer l'entretien de l'appareil lorsque l'unité est mouillée.
- Les tubes en plastique d'alimentation d'ozone sont fournis avec DEL Ozone. Ne remplacez jamais ces tubes par des tubes en métal.
- **AVERTISSEMENT:** l'inhalation à court terme de concentrations élevées d'ozone et l'inhalation à long terme de concentrations basses d'ozone peuvent

INSTRUCTIONS IMPORTANTES

entraîner de graves effets psychologiques néfastes. N'inhalez PAS de gaz d'ozone produit par cet appareil.

- Pour votre sécurité, ne pas stocker ni utiliser d'essence, de produits chimiques, ou autres liquides ou vapeurs inflammables à proximité de cet appareil.
- **AVERTISSEMENT:** pour diminuer le risque de blessures, ne permettez pas aux enfants d'utiliser ce produit à moins d'être supervisés à tout moment.
- Une borne marquée G est située à l'intérieur de la boîte à bornes ou compartiment d'alimentation. Pour réduire le risque de choc électrique, cette borne doit être reliée aux moyens de mise à la terre fournis dans le panneau de service d'alimentation électrique avec un équivalent de fil de cuivre de taille pour les conducteurs alimentant cet équipement.
- Au moins deux languettes marquées « LANGUETTES DE LIAISON » sont fournies sur la surface externe ou à l'intérieur du terminal ou du compartiment d'alimentation. Pour diminuer le risque de choc électrique, connectez la grille locale de liaison commune dans la zone du jacuzzi à ces terminaux avec un conducteur de cuivre isolé ou dénudé d'au moins No. 6 AWG.

CONSERVEZ CES INSTRUCTIONS!

TABLE DES MATIÈRES

SECTION 1 Vue d'ensemble

1A. Description.....	19
1B. Spécifications	19

SECTION 2 Installation

2A. Emplacement.....	19
2B. Montage au mur.....	20
2C. Électricité	20
2D. Plomberie.....	21

SECTION 3 Fonctionnement

3A. Général.....	25
3B. Démarrage du système initial.....	25
3C. Fonctionnement normal.....	25
3D. Arrêt du système.....	25
3E. pH de l'eau.....	26

SECTION 4 Entretien

4A. Vue d'ensemble électromécanique du système	26
4B. Entretien du système	26
4C. Entretien du générateur - Reportez-vous à la Figure 4	27
4D. Dépannage	28
4E. Coordonnées	30

SECTION 5 Pièces de rechange

5A. Informations sur les commandes	30
5B. Liste standard des pièces de rechange:	30

1A. Description

Les générateurs d'ozone DEL Ozone Series décrits dans ce manuel visent à offrir les avantages d'eau ozonée de manière efficace et écologique. Les composants de haute-qualité, fabriqués spécialement pour assurer une production d'ozone efficace et une performance fiable.

Une utilisation correcte des générateurs d'ozone DEL Ozone, éliminent virtuellement tout effet désagréable lié à l'utilisation traditionnelle de produits chimiques. Les générateurs d'ozone DEL Ozone sont sans danger pour votre équipement s'ils sont installés correctement.

1B. Spécifications

Exigences d'alimentation électrique:

Ozone 25110-250V, 0.10A max, 50-60 Hz

Ozone 50110-250V, 0.20A max, 50-60 Hz

Ozone 100.....110-250V, 0.31A max, 50-60 Hz

Exigences relatives à l'emplacement:

Montage: monter au mur dans une zone propre et protégée.

Température ambiante: entre 0°C et 50°C

2A. Emplacement

Les unités DEL Ozone sont conçues pour un montage au mur. Montez le générateur dans une zone propre et protégée, à l'intérieur ou à l'extérieur (de préférence à l'abri de la lumière directe du soleil). Placez le générateur hors de la portée des arroseurs automatiques ou des évacuations d'eau. Permettez un accès suffisant pour l'entretien des conduites et fils électriques. Le générateur d'ozone doit être installé à au moins (minimum) 0,3 mètres au-dessus du niveau maximum de l'eau.

Retirez et jetez l'emballage en mousse à l'intérieur de l'enceinte avant de monter l'unité

2B. Montage au mur

1. Ouvrez la porte de l'enceinte et trouvez les trois trous de montage sur la paroi arrière de l'enceinte. Vous trouverez deux trous situés en haut à gauche et à droite, et un autre situé en bas, dans le centre. Reportez-vous à l'illustration de la Figure 1 pour plus de clarification.
2. Installez les vis (ou autre outils appropriés pour la surface de montage) dans les deux trous de montage en haut de l'enceinte. Installez la dernière vis dans le trou de montage en bas de l'enceinte. Le matériel de montage doit être fixé jusqu'à ce que la tête contacte entièrement la paroi de l'enceinte. La tête du matériel de montage doit mesurer au moins 6,3 mm de diamètre et les câbles du matériel doivent mesurer moins de 6,3 mm de diamètre.

2C. Électricité

2C-1. Alimentation principale

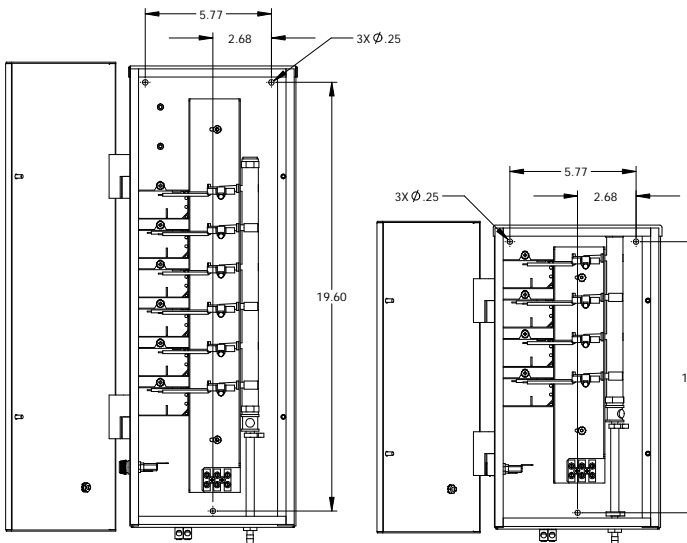


Figure 1: Dimensions des Trous de Montage

SECTION 2 Installation

Cet appareil est conçu pour être installé par un technicien agréé, conformément aux codes électriques locaux. Connectez le DEL Ozone à l'horloge de la piscine afin que le DEL Ozone fonctionne simultanément avec la pompe de la piscine. Le DEL Ozone possède trois orifices disponibles pour un embout de tuyauterie de 1,5 cm, deux de chaque côté et un à l'arrière. Retirez uniquement l'orifice et installez l'embout approprié. Ouvrez l'enceinte et trouvez le terminal. Branchez la ligne 1, ligne 2 et le câble de terre au terminal, comme indiqué sur l'étiquette à l'intérieur de la porte de l'enceinte. Reportez-vous aux INSTRUCTIONS IMPORTANTES CONCERNANT LA SECURITE disponibles au début de ce manuel pour obtenir des informations importantes sur les branchements.

2C-2. Languette de mise à la terre

Avec un conducteur 6 AWG (13,3 mm²), connectez la languette de mise à la terre en bas de DEL Ozone, avec un contact à la terre approprié.

2D. Plomberie

Le gaz d'ozone est introduit dans la tuyauterie de circulation de la piscine en utilisant un injecteur Venturi. L'aspiration développée par le venturi permet au générateur DEL Ozone de fonctionner sans danger sous vide.

Remarque : l'eau ne doit pas revenir dans le générateur d'ozone. Monter l'unité au-dessus du niveau d'eau et remplacer le clapet anti-retour régulièrement empêchera l'eau d'accéder au DEL Ozone.

2D-1. Plomberie du collecteur d'injection

Le collecteur d'injection doit être installé dans la tuyauterie de retour principale de la piscine après le reste de l'équipement (pompe, filtre, chaudière, et nettoyeur). La Figure 2 illustre l'installation la plus basique. Pour une installation avec des désinfectants supplémentaires et nettoyeurs de piscine, reportez-vous à l'Annexe A.

Remarque: L'injecteur d'admission doit être installé au dessus du niveau de l'eau à chaque fois que possible. Si l'injecteur d'admission est installé en dessous du niveau de l'eau, veuillez prendre les

SECTION 2 Installation

précautions nécessaires pour empêcher l'eau de passer à travers l'injecteur et d'endommager la zone environnante. Par exemple, veuillez utiliser des serre-joints sur tous les raccords de tubes, faites passer les tuyaux d'ozone au dessus du niveau de l'eau et assurez-vous qu'il y a un drainage adéquat autour de l'équipement de piscine.

Trouvez une section appropriée de la tuyauterie de retour et installez le collecteur d'injection avec du ciment PVC. Veuillez bien à observer et à suivre la direction correcte du débit de l'eau (indiqué par la flèche sur le collecteur d'injection).

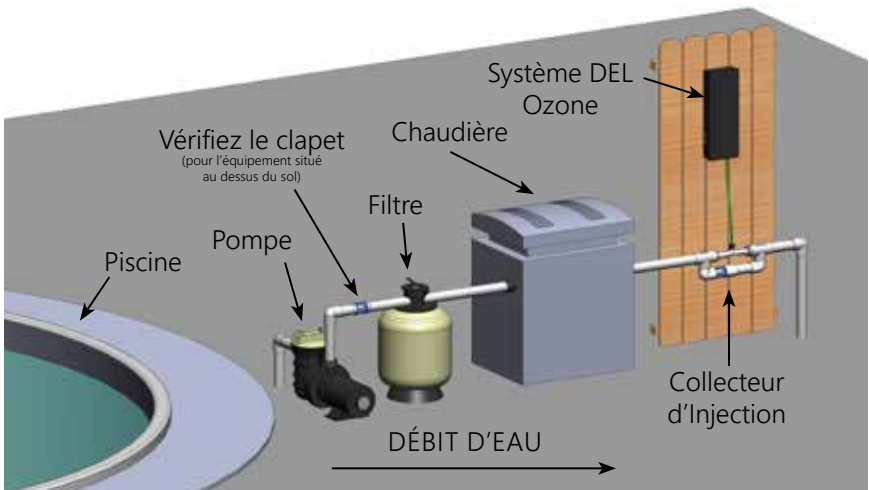


Figure 2 : Emplacement de Montage du Collecteur d'Injection

2D-2. Clapet anti-retour de l'eau

Si l'équipement de la piscine est monté au-dessus du niveau de l'eau, un clapet anti-retour doit être installé entre la sortie de la pompe et le collecteur d'injection. Ceci évitera que la pompe ne soit vidangée et ne perde son apprêt (lorsqu'elle n'est pas utilisée).

Remarque: si un 1/3# DELCheck™ est utilisé, ne l'installez pas immédiatement après l'alimentation en chlore.

SECTION 2 Installation

2D-3. Test de pression

Si un test de pression est nécessaire, il doit être effectué avant la connexion à un tuyau de gaz d'ozone. Installez le capuchon du tuyau de 2cm fourni sur l'injecteur pour le test de pression.

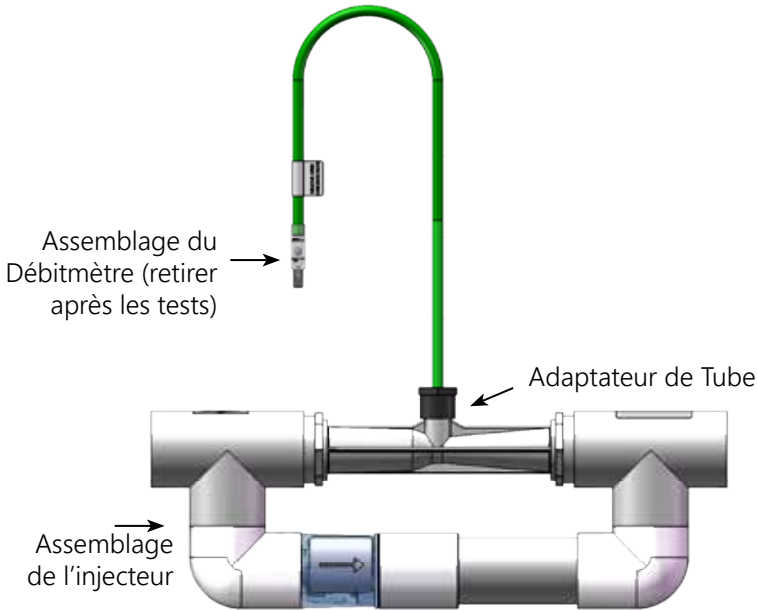


Figure 3a: Assemblage du Débitmètre

2D-4. Test de débit - Reportez-vous à la Figure 3.

1. Installez l'adaptateur du tube sur l'injecteur. Utilisez du fil Teflon, le cas échéant.
2. Connectez l'Assemblage du Débitmètre à l'Adaptateur du Tube.
3. Tenez l'Assemblage du Débitmètre de manière à ce que la chambre en plastique transparent soit verticale avec le tube sur le dessus.
4. Allumez le système de circulation de la piscine, pour permettre à l'assemblage de l'injecteur de tourner sous vide. Lors d'une utilisation normale, la balle métallique de l'assemblage du débitmètre flottera entre la ligne Min et Max. Sous les pires conditions, la balle du débitmètre indiquera une petite quantité de débit d'air. Le débit peut être ajusté, comme décrit ci-dessous.

Collecteur d'injection ajustable: le débit de gaz peut être contrôlé en ajustant le clapet sur le collecteur. Fermez le clapet pour augmenter le débit de gaz, ouvrez le clapet pour diminuer le débit de gaz.

Collecteur d'injection rigide: ce collecteur est équipé d'un clapet sécurisé par un ressort DELCheck™. Il ne peut pas être ajusté, mais offre une grande plage de fonctionnement. Si un débit de gaz plus important est nécessaire, vérifiez que les autres clapets dans le système n'empêchent pas le débit dans le collecteur. En cas de difficultés, reportez-vous à la section DEPANNAGE 4D.

2D-5. Connection du Tube d'Ozone: Référez-vous à la Figure 3b.

Après que le système a été réglé au bon débit, Enlevez l'Assemblage du Débitmètre et connectez le tube d'ozone entre la barbelure de la sortie d'ozone sur le DEL Ozone et l'adaptateur de tube sur l'assemblage de l'injecteur. Assurez-vous que la flèche du clapet de non-retour pointe vers l'injecteur. Si l'équipement est au-dessus du niveau de l'eau, coupez l'excédent du tube pour que la ligne de l'injecteur du DEL Ozone soit droit et sans trempage et boucle le plus possible. Si l'équipement est sous le niveau de l'eau, passez le tube dans un endroit au-dessus du niveau de l'eau. Assurez-vous que toutes les connexions du tube soient fixées avec des attaches.

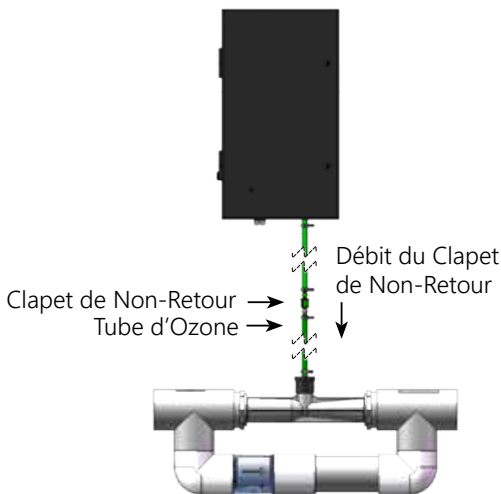


Figure 3b: Assemblage du Tube d'Ozone

3A. Général

Pour obtenir une performance optimale du système d'ozone, la piscine doit être aussi propre que possible dès le départ.

1. Lavez à contre-courant ou nettoyez les filtres un jour avant de démarrer le générateur d'ozone.
2. Désinfectez l'eau de la piscine avec un traitement de choc à base de chlore avant le démarrage du système d'ozone.
3. Testez le pH de la piscine et ajustez-le entre 7,4 et 7,6. Ajustez l'alcalinité totale entre 80 et 120 ppm.
4. Faites fonctionner le système de filtration de la piscine en continu pendant 24 heures avant de démarrer le système d'ozone.

3B. Démarrage du système initial

Une fois toutes les connexions du système effectuées, ainsi que le nettoyage de la piscine, vous pouvez démarrer le générateur d'ozone.

1. Vérifiez les connexions électriques.
2. Vérifiez que le voltage est correct.
3. Allumez le système de circulation de la piscine.

3C. Fonctionnement normal

1. **Indicateurs** : lorsque le système de circulation de la piscine démarre, l'DEL Ozone démarrera également et les indicateurs verts sur les cellules d'ozone s'allumeront. Ouvrez la porte de l'enceinte pour vérifier que tous les indicateurs sont allumés. Le Ozone 25, Ozone 50, et Ozone 100 doit comprendre 2, 4, et 6 indicateurs, respectivement.

3D. Arrêt du système

Les étapes suivantes doivent être suivies pour l'entretien ou le stockage.

1. Débranchez l'alimentation électrique du générateur d'ozone.
2. Une fois le générateur éteint, la pompe de circulation d'eau de la piscine peut être éteinte.
3. Si le système est arrêté pendant une longue période de temps, débranchez le tube d'ozone de l'unité.

3E. pH de l'eau

Des tests réguliers du chlore ou du bromure doivent être effectués comme à l'habitude. L'ozone éliminera la majorité des contaminants. Ainsi, seulement une petite quantité de produits chimiques doivent être ajoutés, juste assez pour maintenir un niveau résiduel de 0,5 à 1,0 ppm de chlore ou 1,0 à 2,0 ppm de bromure. L'ozone est de pH neutre, minimisant ainsi les ajustements du pH.

4A. Vue d'ensemble électromécanique du système

4A-1. Module d'ozone

Les générateurs d'ozone d'DEL Ozone sont construits avec des modules d'ozone à trou plasmatique haute tension. Les Ozone 25, Ozone 50, et Ozone 100 ont 2, 4, et 6 modules, respectivement. Chaque module possède un indicateur lumineux qui signale qu'il fonctionne correctement. Si la lumière s'éteint, remplacez le module.

4B. Entretien du système

4B-1. Les indicateurs lumineux sur les modules d'ozone situés à l'intérieur de l'enceinte indiquent que l'alimentation électrique fonctionne correctement. Lorsque la lumière s'éteint, remplacez le module correspondant. Vérifiez régulièrement à l'intérieur de l'unité pour vérifier que tous les modules d'ozone fonctionnent correctement.

4B-2. Chaque module d'ozone doit être remplacé après 15 000 heures de fonctionnement. Même si le ou les indicateurs lumineux brillent, il est possible que le module d'ozone produise moins d'ozone après cette période de temps à cause de la contamination au sein de la chambre d'ozone à trou plasmatique.

4B-3. Réinstallez régulièrement le débitmètre et vérifiez que le débit est correct. Retirez toujours le débitmètre après avoir vérifié que le débit est correct. Inspectez qu'il n'y a pas de fissure, ni de marques d'usure sur le tube d'ozone, le cas échéant.

4B-4. Remplacez le tube d'ozone tous les ans, ou plus fréquemment si besoin. Si vous remarquez des fuites d'eau au-delà du clapet de non-

retour vers l'DEL Ozone, arrêtez immédiatement l'unité et remplacez le tube d'ozone et le clapet de non-retour. Si de l'eau s'introduit dans l'DEL Ozone, laissez l'unité sécher complètement avant de la redémarrer. Une infiltration d'eau dans l'DEL Ozone pourrait annuler la garantie.

AVERTISSEMENT: NE touchez PAS les extrémités du tube d'ozone lors du remplacement. Il est possible que des traces d'acide nitrique soient présentes et qu'il représente un danger au toucher ou si inhalé.

4B-5. Pendant le fonctionnement, vérifiez si des bulles entrent dans la piscine. Si un MDV est installé, vérifiez s'il y a des bulles.

4C. Entretien du générateur - Reportez-vous à la Figure 4

4C-1. Ouverture de l'unité

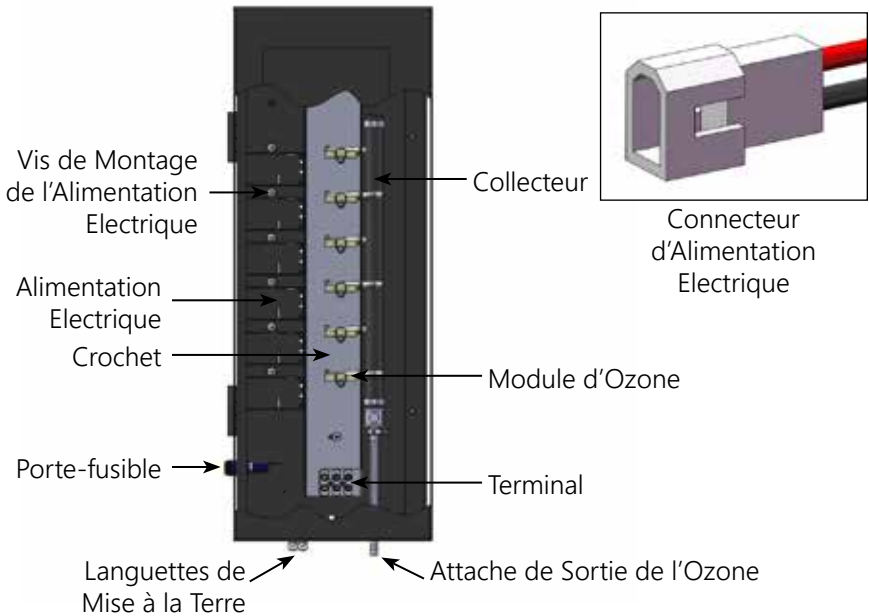
Le générateur d'ozone DEL Ozone peut être entretenu sur le mur sans débrancher la plomberie, ni le câblage. Retirez simplement les deux vis sur le côté droit de la porte de l'enceinte pour ouvrir l'unité.

4C-2. Remplacement du module d'ozone

Les Ozone 25, Ozone 50, et Ozone 100 possèdent 2, 4, et 6 modules d'ozone, respectivement. Lorsque l'indicateur vert lumineux s'éteint, le module d'ozone correspondant doit être remplacé.

Pour remplacer un module d'ozone :

1. Débranchez le module d'ozone du collecteur et tirez le module l'ozone du crochet de sorte à ce qu'il pende par les câbles.
2. Trouvez le connecteur d'alimentation électrique et débranchez-le du harnais de câblage.
3. Retirez la vis de montage de l'alimentation électrique ; assurez-vous de noter les emplacements des espaces en plastique et de la rondelle pour un remontage facile. Le module d'ozone et l'alimentation électrique peuvent maintenant être retirés de l'unité.
4. Installez le nouveau module d'ozone en suivant les étapes ci-dessus à l'inverse.



4D. Dépannage

Une connaissance des applications électrique est requise pour les dépannages. Contactez un électricien agréé si vous n'êtes pas sûr de votre capacité à réparer l'équipement. Une mauvaise réparation annulera la garantie du générateur. Si le problème persiste, contactez l'assistance technique de DEL (reportez-vous à la section 4E)

4D-1 Symptôme: les indicateurs lumineux du module de s'allument pas lorsque le système de la piscine est allumé.

1. Aucune alimentation au générateur d'ozone de la source électrique :
 - a. Vérifiez le disjoncteur dans la boîte de distribution électrique.
 - b. Vérifiez que les connexions ne sont pas desserrées ou qu'il n'y ait pas d'interruption dans le câblage allant de la boîte de distribution électrique au générateur.
 - c. Le fusible dans l'unité a sauté et il doit être remplacé. Le fusible est en verre remplaçable, 0,65 cm x 3 cm, 1 amp, type slo-blo.
2. Le disjoncteur de fuite à la terre s'est déclenché.
 - a. Vérifiez le cordon électrique et réinitialisez le disjoncteur de fuite à la terre.

4D-2 Symptôme: le débitmètre n'indique pas de débit.

1. L'injecteur n'effectue pas d'aspiration adéquate.
 - a. Vérifiez la pompe, les filtres, et les écumeurs pour vous assurer que l'eau passe dans l'injecteur.
 - b. Assurez-vous qu'aucun débris ne bouche l'intérieur de l'injecteur.
2. La tuyauterie est détériorée.
 - a. Cherchez des problèmes ou des bouchons.
 - b. Cherchez des fissures ou des coupures.
 - c. Vérifiez les connexions.
 - d. Vérifiez que le clapet de non-retour est installé avec la flèche pointant vers l'injecteur.
 - e. Assurez-vous que le clapet de non-retour ne contient pas de débris. Débranchez le tube d'ozone de l'injecteur. Pendant que la pompe fonctionne, couvrez l'extrémité de l'injecteur avec votre pouce, et voyez si vous sentez l'aspiration. Si l'aspiration est suffisante sans le clapet de non-retour, remplacez ce dernier par un nouveau.

4D-3 Symptôme: le tube d'ozone devient jaune/marron et cassant.

1. La haute concentration d'ozone créée par la famille DEL Ozone de générateurs d'ozone, ainsi que les conditions environnementales comme les rayons UV auront tendance à détériorer le tube d'ozone fourni. Ceci est normal et acceptable, tant que la tuyauterie ne se fend pas, ni ne fuit. À cause de cela, le tube d'ozone et le clapet anti-retour doivent être remplacés chaque année.

4D-4 Symptôme: impossible de garder la balle au centre du débitmètre.

1. Le débitmètre fourni est un outil général pour configurer le débit vers le générateur d'ozone. Le débit varie selon la pression dans l'injecteur, et peut être affecté par des choses comme le chargement de la passoire ou du filtre. L'efficacité du générateur d'ozone est optimisée près du centre du débitmètre. Le générateur d'ozone DEL Ozone fonctionnera bien malgré tout à des débits supérieurs et inférieurs à la plage recommandée. Cependant, la balle doit bouger et ne pas coller au bas du débitmètre.

4E. Coordonnées

Assistance technique:

- Appelez le: +1(805) 541-1601 ou le +1(800) 676-1335
- Courrier électronique: warrantysupport@delozone.com
- ou consultez notre site Internet sur: www.delozone.com

5A. Informations sur les commandes

Pour trouver le fournisseur le plus près de chez vous, appelez le +1(800) 676-1335 ou consultez www.delozone.com.

Ayez en main les informations suivantes :

- Nom
- Date d'achat
- Adresse
- Nom du revendeur
- Modèle

5B. Liste standard des pièces de rechange:

1. Kit de module d'ozone 9-1056-01
Chaque module d'ozone doit être remplacé après 15 000 heures d'utilisation.
2. Assemblage du tube d'ozone 9-0770-01
L'assemblage du tube d'ozone (comprend le tube d'ozone et le clapet de non-retour) doit être remplacé une fois par an.

Remarque: la garantie sera annulée si les pièces indiquées ci-dessus ne sont pas remplacées à des intervalles recommandés.

ANNEXE A

Installation d'DEL Ozone – Plomberie

DEL Ozone fonctionne sous vide. Le collecteur d'injection aspire le mélange air/ozone du générateur d'ozone, et le mélange à l'eau, rejetant ainsi des bulles de gaz non dissoutes. Ces bulles peuvent avoir un impact sur certains composants du système de piscine, l'installation du collecteur d'injection d'ozone doit donc être effectuée avec soin.

Les diagrammes ci-dessous couvrent les configurations habituelles de plomberie. Pour toute question concernant la configuration et l'installation, veuillez appeler l'assistance technique de DEL Residential Pool & Spa au +1 (800) 676-1335, ou envoyer un courrier électronique à : warrantysupport@delozone.com

- 1 Nettoyant de piscine (Polaris 360)** : toujours fixer la section en T avant l'injecteur DEL Ozone pour éviter que le gaz n'affecte le fonctionnement du nettoyeur.
- 2 Chlorinateur au sel** : un chlorinateur au sel peut être fixé d'un côté ou de l'autre de l'injecteur DEL Ozone.
- 3 Pastille de chlore / Alimentateur d'érosion minérale** : toujours fixer l'injecteur DEL Ozone après l'alimentateur d'érosion pour éviter que le gaz ne s'accumule dans l'alimentateur.
- 4 Système de nettoyage au sol** : l'injecteur DEL Ozone doit se trouver sur une conduite de retour différente de toute autre système de nettoyage au sol afin d'éviter un excès de retour de pression sur l'injecteur. Ceci évitera également l'intrusion de gaz et des niveaux élevés d'oxydation dans les vannes et têtes du nettoyeur.
- 5 Caractéristiques de l'eau** : évitez de fixer le collecteur de l'injecteur dans une conduite ayant une pression de retour excessive, comme celles reliées aux fontaines, raccords muraux restrictifs, etc.

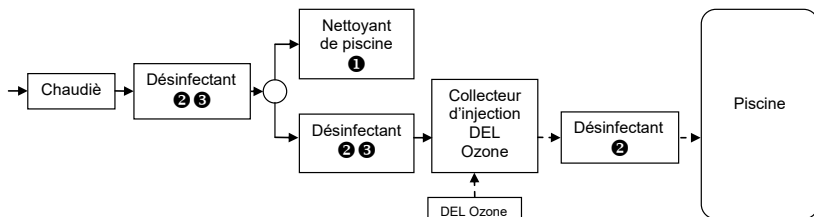
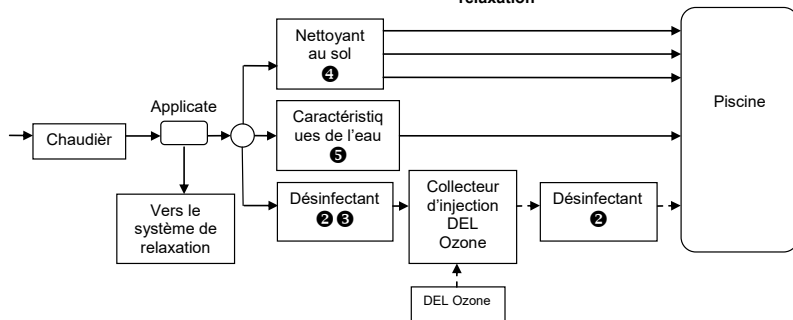


Diagramme 2 : Ensemble Piscine/Système de relaxation



INSTRUCCIONES IMPORTANTES DE SEGURIDAD

Lea y siga todas las instrucciones

- Lea todo este manual antes de intentar la instalación. No instalarlo de acuerdo con las instrucciones de instalación podría anular la garantía y resultar en lesiones o la muerte.
- La conexión eléctrica DEL Ozone es para fijarse a los controles de la piscina, asegúrese de que los controles de la piscina estén protegidos por un interruptor de circuito de falla conectado a tierra (G.F.C.I., Ground fault circuit interrupter). Si el DEL Ozone se conecta a un suministro eléctrico independiente, entonces debe instalar un G.F.C.I entre el DEL Ozone y el suministro eléctrico.
- **ADVERTENCIA** - Para reducir el riesgo de descarga eléctrica, este dispositivo debe estar montado de tal manera que no tenga acceso a las personas en la piscina.
- Se incluye un conector a presión en la parte externa de la unidad marcada como "lengüetas de empalme". Conectar un conductor vinculante sólido de No. 6 AWG (13.3 mm²) como mínimo, entre este punto y cualquier equipo de metal, gabinetes de metal para equipo eléctrico, tuberías de agua metálicas o conductos que estén al menos dentro de cinco (5) pies (1.5 m) de la unidad, o como se requiera para cumplir con los requisitos locales.
- Instálelo al menos 5 pies (1.5 metros) desde la pared de la piscina usando tubería no metálica. Instale el generador de ozono a no menos de un (1) pies sobre el nivel máximo del agua para evitar que el agua entre en contacto con el equipo eléctrico. Instálelo de acuerdo con las instrucciones de instalación.
- Siga todos los códigos eléctricos correspondientes.
- Peligro de descarga eléctrica. Asegúrese de apagar (OFF) el suministro de energía y desconectar la fuente de corriente eléctrica antes de realizar cualquier rutina de mantenimiento. No hacerlo puede resultar en lesiones graves o la muerte.
- El DEL Ozone debe instalarse en exteriores, o en interiores con un cuarto con ventilación forzada, y debe instalarse de tal forma para que la orientación quede exactamente como se muestra en la figura 1. Durante la instalación incluya un desagüe para el agua del generador para proteger los componentes eléctricos.
- Monte el DEL Ozone de tal forma que no esté accesible para cualquiera en la piscina. Nunca intente dar servicio a la unidad mientras está mojada.
- Su DEL Ozone viene provisto con la tubería de plástico para ozono. Nunca reemplace dicha tubería con tubería de metal.
- **ADVERTENCIA** - La inhalación a corto plazo de altas concentraciones de ozono y la inhalación a largo plazo de bajas concentraciones de ozono pueden ocasionar nocivos efectos fisiológicos graves. NO inhale el gas

ozono producido por este dispositivo.

- Por su seguridad, no almacene o use gasolina, sustancias químicas u otros líquidos o vapores inflamables al estar cerca de este o cualquier otro dispositivo.
- **ADVERTENCIA** - Para reducir el riesgo de lesiones, no permita que los niños usen este producto a menos que estén supervisados en todo momento.
- Encontrará una terminal marcada con la letra 'G' en la parte interna de la caja o compartimiento de la terminal de suministro. Para reducir el riesgo de descarga eléctrica, esta terminal debe estar conectada a la conexión a tierra que se proporciona en el panel del servicio de suministro eléctrico con alambre de cobre continuo de tamaño equivalente a los conductores de circuito de este equipo.
- Se proporcionan al menos dos asientos marcados como "BONDING LUGS (ASIENTOS DE EMPALME)" sobre la superficie externa o dentro de la caja o compartimiento de la terminal de suministro. Para reducir el riesgo de descarga eléctrica, conecte la rejilla local de empalme común en el área del jacuzzi o spa hacia estas terminales con un conductor de cobre aislado o sin revestimiento que no sea más pequeño de No. 6 AWG

¡GUARDE ESTAS INSTRUCCIONES!

TABLA DE CONTENIDOS

SECCIÓN 1 Resumen

1A. Descripción.....	37
1B. Especificaciones.....	37

SECCIÓN 2 Instalación

2A. Ubicación	37
2B. Montaje en la pared	38
2C. Sistema eléctrico.....	39
2D. Tuberías.....	39

SECCIÓN 3 Funcionamiento

3A. Generalidades.....	43
3B. Arranque inicial del sistema	43
3C. Operación normal	43
3D. Paro del sistema.....	43
3E. Química del agua	44

TABLA DE CONTENIDOS

SECCIÓN 4 Mantenimiento

4A. Vista general del sistema electromecánico	44
4B. Mantenimiento del sistema	44
4C. Mantenimiento al generador Consulte la Figura 4.....	45
4D. Solución de problemas.....	47
4E. Información de contacto.....	48

SECCIÓN 5 Piezas de repuesto

5A. Información para pedidos	49
5B. Lista estándar de piezas de remplazo:	49

1A. Descripción

Los generadores de ozono de las Series DEL Ozone descritos en este manual están diseñados para proporcionar los beneficios del agua ozonizada en un medio ambiente seguro y de forma eficaz. Los componentes de alta calidad y diseño específico aseguran una salida eficiente de ozono y un rendimiento fiable. Como resultado del uso adecuado de los generadores de ozono DEL Ozone, se eliminan virtualmente los desagradables efectos del uso tradicional de sustancias químicas. Los generadores de ozono DEL Ozone son seguros e inofensivos a su equipo cuando se instalan adecuadamente.

1B. Especificaciones

Power Requirements:

Ozone 25	110-250V, 0.10A máx, 50-60 Hz
Ozone 50	110-250V, 0.20A máx, 50-60 Hz
Ozone 100.....	110-250V, 0.31A máx, 50-60 Hz

Requisitos sobre la ubicación:

Montaje: Montaje en la pared sobre un área limpia y protegida.

Temperatura ambiente: 30°F - 120°F (0°C - 50°C)

2A. Ubicación

Las unidades DEL Ozone están diseñadas para montarse en la pared. Monte el generador en un área limpia y protegida, ya sea en exteriores o interiores (de preferencia fuera de la luz solar directa). Coloque el generador fuera del alcance de aspersores o desagües. Deje el espacio suficiente para dar mantenimiento, para toda la tubería y el tendido eléctrico. Los generadores de ozono deben instalarse como mínimo (no menos de) a un pie (0.3 metros) sobre el nivel máximo del agua.

Nota: Remover y desechar el embalaje de espuma del interior de la caja, antes de montar la unidad.

2B. Montaje en la pared

1. Abra la Puerta de la carcasa y busque los tres orificios de montaje en el dorso de la carcasa. Encontrará dos orificios ubicados cerca de la parte superior en el lado izquierdo y derecho y uno ubicado en el centro, cerca de la parte inferior. Consulte la Figura 1 para aclaraciones.
2. Instale los tornillos (u otra tornillería requerida para la superficie de montaje) a través de los dos orificios de montaje cerca de la parte superior de la carcasa. Instale el último tornillo a través del orificio de montaje cerca de la parte inferior de la carcasa. La tornillería de montaje debe atornillarse hasta que las cabezas tengan contacto directo con la pared de la carcasa. La cabeza de la tornillería de montaje no debe ser menor de 0.25 pulgadas (6.3 mm) de diámetro y las roscas de los tornillos deben ser menores de 0.25 pulgadas (6.3 mm) de diámetro.

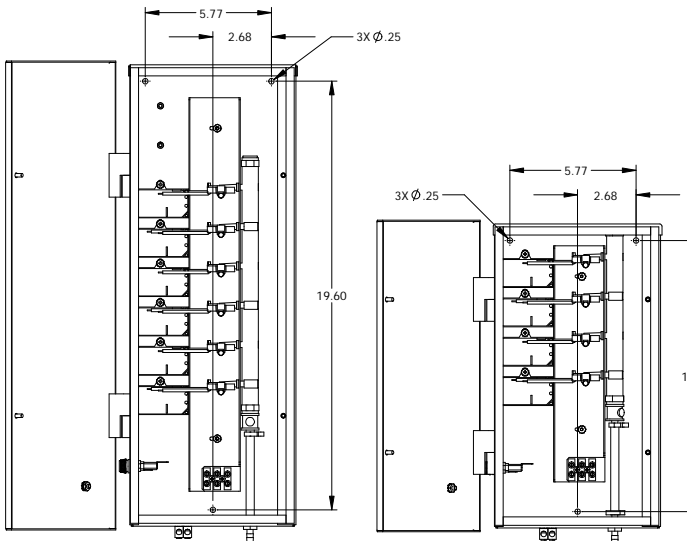


Figure 1: Dimensiones del Orificio de Montaje

2C. Sistema eléctrico

2C-1. Suministro principal

Este dispositivo está provisto para instalarse por un electricista certificado, en cumplimiento con los códigos eléctricos locales. Conecte el DEL Ozone al reloj de la piscina para que el DEL Ozone funcione simultáneamente junto con la bomba de la piscina. El DEL Ozone cuenta con tres discos removibles para un accesorio de conducto de ½ pulgada, dos en cada lado y uno en la parte de atrás. Quite el disco removible ideal e instale el accesorio de conducto adecuado. Abra la carcasa y encuentre el bloque del terminal. Conecte la línea 1, línea 2 y la tierra al bloque del terminal como lo indica la etiqueta en la parte interna de la puerta de la carcasa. Consulte las INSTRUCCIONES IMPORTANTES DE SEGURIDAD que se incluyen al principio de este manual para ver información importante de tendido.

2C-2. Asiento para la conexión a tierra

Usando un conductor 6 AWG (13.3 mm²), conecte el asiento a tierra en el fondo del DEL Ozone, marcado al contacto a tierra adecuado.

2D. Tuberías

El gas de ozono se introduce a la circulación de la línea piscina usando un inyector venturi. La succión desarrollado por el venturi permite que el generadores de ozono DEL Ozone funcione de manera segura bajo vacío.

Nota: el agua no debe viajar de regreso al generador de ozono. El montaje de la unidad sobre el nivel del agua y el remplazo programado de la válvula de retención evitarán que el agua entre al DEL Ozone.

2D-1. Tubería del colector del inyector

El colector del inyector debe instalarse en la línea de retorno principal de la piscina, después de todo el otro equipo de la piscina (bomba, filtro, calentador y limpiador). La Figura 2 muestra la instalación básica. Para la instalación de desinfectantes y limpiadores de piscina, consulte el Apéndice A.

SECCIÓN 2 Instalación

Nota: El colector del inyector debe estar instalado sobre el nivel de agua cuando sea posible. Si está instalado debajo del nivel de agua, tome las medidas necesarias para evitar que el agua se filtre a través del inyector y dañe los alrededores. Por ejemplo, utilice abrazaderas en todas las conexiones de tuberías, coloque un tubo de ozono sobre el nivel del agua y prepare un drenaje adecuado alrededor de los equipos de la pileta.

Encuentre la sección adecuada de la línea de retorno e instale el colector del inyector con cemento PVC. Tenga mucho cuidado de observar y seguir la dirección correcta del flujo de agua (como lo indica la flecha sobre el colector del inyector).

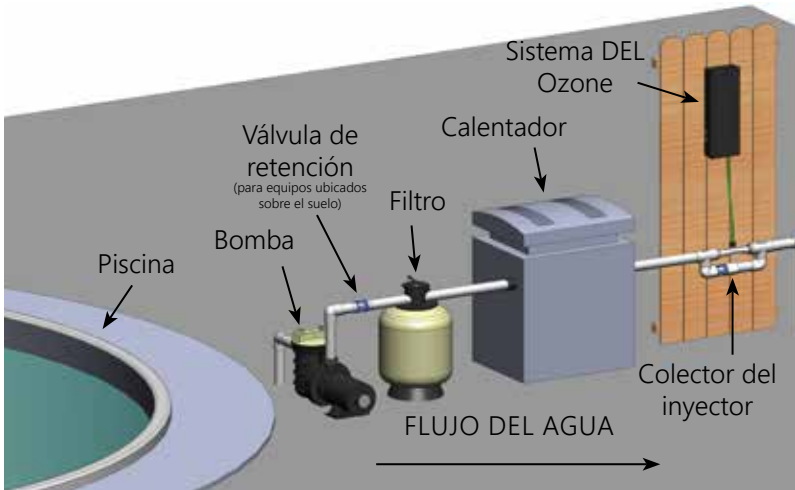


Figure 2: Ubicación de Montaje del Colector del Inyector

2D-2. Válvula de retención del agua

Si el equipo de la piscina está montado sobre el nivel del agua, debe instalar una válvula de retención entre la salida de la bomba y el colector del inyector. Esto evitará que la bomba drene y pierda su purga (cuando no esté en uso).

Nota: si usa una 1/3# DELCheck™ no la instale inmediatamente después de los alimentadores de cloro.

2D-3. Prueba de presión

Si se requiere de una prueba de presión, deberá realizarse antes de conectar la línea de gas ozono. Instale la tapa de la tubería de $\frac{3}{4}$ pulgada provista en el inyector para la prueba de presión.

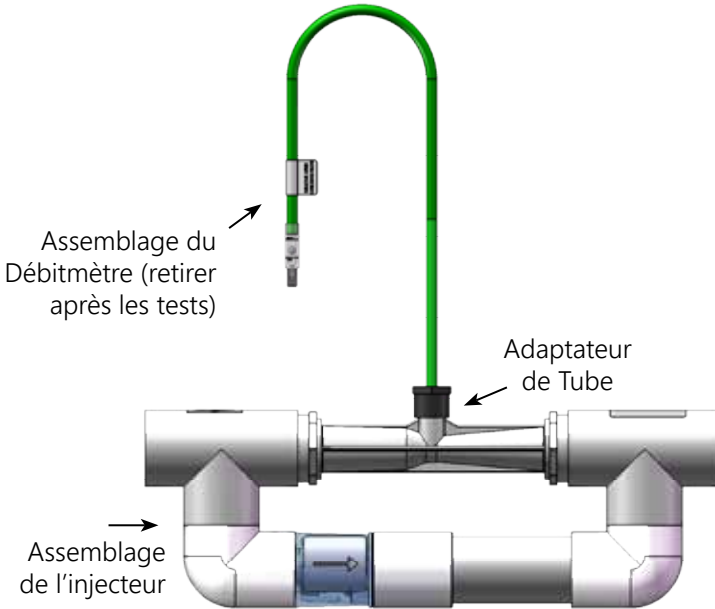


Figura 3a: Montaje del Medidor de Flujo

2D-4. Prueba de flujo - Consulte la figura 3a.

1. Instale el adaptador de tubería sobre el inyector. Use cinta de teflón de ser necesario.
2. Conecte el Montaje del Medidor de Flujo al Adaptador de Tubo.
3. Sostenga el Montaje del Medidor de Flujo para que la cámara de plástico transparente este vertical con la tubería en la parte superior.
4. Encienda el sistema de circulación de la piscina, esto permite que el conjunto del inyector genere un vacío. Bajo la operación normal, la bola en el conjunto del medidor de flujo estará flotando entre la línea de Máximo y Mínimo. Bajo las peores condiciones del sistema, la bola del medidor de flujo deberá indicar al menos una pequeña cantidad de flujo de aire. El flujo debe ajustarse como se describe a continuación.

Colector del inyector ajustable: El flujo de gas puede controlarse ajustando la válvula del colector. Cierre la válvula para aumentar el flujo de gas, abra la válvula para disminuir el flujo de gas.

Colector del inyector rígido: El colector está equipado con una válvula de resorte DELCheck™. Esta no puede ajustarse, pero tiene un rango amplio de apertura. Si se necesita un flujo mayor de gas, verifique que las otras válvulas del sistema no estén inhibiendo el flujo a través del colector. Si experimenta complicaciones, consulte la sección 4D de SOLUCIÓN DE PROBLEMAS.

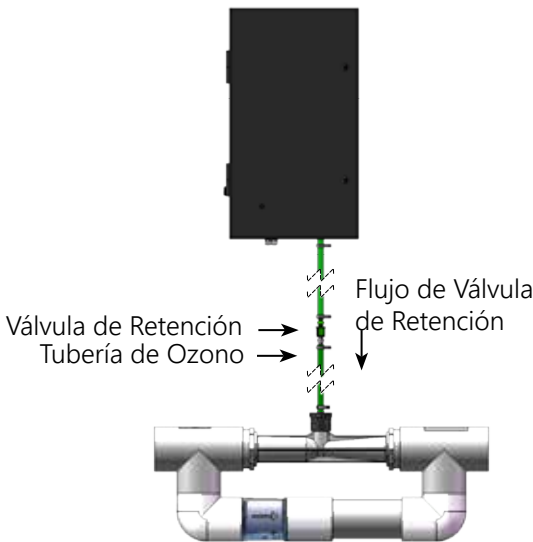


Figura 3b: Montaje de Tubería de Ozono

2D-5. Conexión de Tubería de Ozono: Consulte la Figura 3b.

Después de ajustar el sistema para el caudal correcto, retire el Ensamblaje del Medidor de Flujo y conecte el tubo de ozono entre la lengüeta de salida de ozono en el DEL Ozone y el adaptador de tubo en el montaje del inyector. Asegúrese de que la flecha de la válvula de retención apunte hacia el inyector. Si el equipo está por encima del nivel del agua, corte el exceso de tubería para que la línea que va del inyector al DEL Ozone esté tan recta y libre de interrupciones y bucles como sea posible. Si el equipo está por debajo del nivel

SECCIÓN 3 Funcionamiento

del agua, ejecute la tubería hasta un punto por encima del nivel del agua. Asegúrese de que todas las conexiones de las tuberías estén aseguradas con abrazaderas.

3A. Generalidades

Para lograr el óptimo rendimiento del sistema de ozono, para empezar la piscina debe estar lo más limpia posible.

1. Limpie los filtros o realice un retro lavado un día antes de arrancar el generador de ozono.
2. Clorine el agua usando un tratamiento de carga de cloro antes de arrancar el sistema de ozono.
3. Haga pruebas para ver las sustancias químicas en la piscina y ajuste el pH entre 7.4 y 7.6. Ajuste la alcalinidad total entre 80 y 120 ppm.
4. Active la filtración de la piscina continuamente por 24 horas antes de arrancar el sistema de ozono.

3B. Arranque inicial del sistema

Al terminar con todas las conexiones del sistema del generador y limpiar la piscina como se describió arriba, ya está listo para arrancar el generador de ozono.

1. Revise las conexiones eléctricas.
2. Revise que se cuente con el voltaje adecuado.
3. Encienda el sistema de circulación de la piscina.

3C. Operación normal

1. Luces indicadoras: Cuando arranca el sistema de circulación de la piscina, el DEL Ozone se encenderá y las luces indicadoras verdes sobre las celdas de ozono se encenderán. Abra la puerta de la carcasa para verificar que todas las luces estén en verde. El Ozone 25, Ozone 50 y Ozone 100 deberán mostrar respectivamente indicadores 2, 4 y 6.

3D. Paro del sistema

Debe seguir la siguiente secuencia de pasos para dar servicio o para almacenaje.

1. Desconecte el suministro de energía del generador de ozono.
2. Después de haber apagado el generador, la bomba de circulación

- de agua de la piscina puede apagarse.
3. Si el sistema se va a apagar por un amplio periodo de tiempo, desconecte el tubo de ozono de la unidad.

3E. Química del agua

Las pruebas de cloro y bromo deben realizarse normalmente. El ozono va a estar eliminando la mayoría de los contaminantes. Por lo tanto, solamente deberá ajustar una pequeña cantidad de químicos, justo lo suficiente para mantener un nivel residual mínimo de 0.5 a 1.0 ppm de cloro o 1.0 a 2.0 ppm de bromo. El pH del ozono es neutral, esto minimiza los ajustes de pH.

4A. Vista general del sistema electromecánico

4A-1. Módulo de ozono

Los generadores de ozono DEL Ozone están contruidos con módulos de ozono con franjas de plasma de alto voltaje. El Ozone 25, Ozone 50 y Ozone 100 tienen 2, 4 y 6 módulos, respectivamente. Cada módulo cuenta con una luz indicadora que indica su funcionamiento adecuado. Si la luz se apaga, reemplace el módulo.

4B. Mantenimiento del sistema

4B-1. Las luces indicadoras verdes sobre los módulos de ozono ubicadas dentro de la carcasa indican que el suministro eléctrico está funcionando adecuadamente. Cuando una luz indicadora se apaga, rémplacela con el módulo de ozono correspondiente. Revise regularmente la parte interna de la unidad para verificar que todos los módulos de ozono estén funcionando.

4B-2. Cada módulo de ozono debe remplazarse después de 15,000 horas de operación. Aun cuando las luces indicadoras estén encendidas, puede que el módulo de ozono esté produciendo menos ozono después de este periodo de tiempo debido a la contaminación dentro de la cámara de ozono de la franja de plasma.

4B-3. Vuelva a instalar y revise con regularidad el medidor de flujo para ver que tenga el flujo adecuado. Retire siempre el medidor de flujo después de confirmar el flujo adecuado. Inspeccione la tubería de ozono para ver si existen grietas o desgaste y replácela de ser necesario.

4B-4. Reemplace el tubo de ozono cada año o antes, según sea necesario. Si existe evidencia de fugas de agua pasadas, revise la válvula de retención hacia el DEL Ozone, apague la unidad inmediatamente y reemplace el tubo de ozono y la válvula de retención. Si el agua entró al DEL Ozone, permita que la unidad se seque completamente antes de arrancarla. La evidencia de agua en el DEL Ozone puede anular la garantía.

ADVERTENCIA: NO toque los extremos del tubo de ozono al reemplazarlo. Puede tener cantidades residuales de ácido nítrico y podría ser dañino al tocarlo o ingerirlo.

4B-5. Durante su funcionamiento, revise para ver si hay burbujas ingresando a la piscina. Si se instaló un MDV, revise si tiene burbujas.

4C. Mantenimiento al generador Consulte la Figura 4.

4C-1. Cómo abrir la unidad

El generador de ozono DEL Ozone puede dársele servicio en la pared sin tener que desconectar la tubería o el tendido eléctrico. Simplemente quite los dos tornillos del lado derecho de la puerta de la carcasa para abrir la unidad.

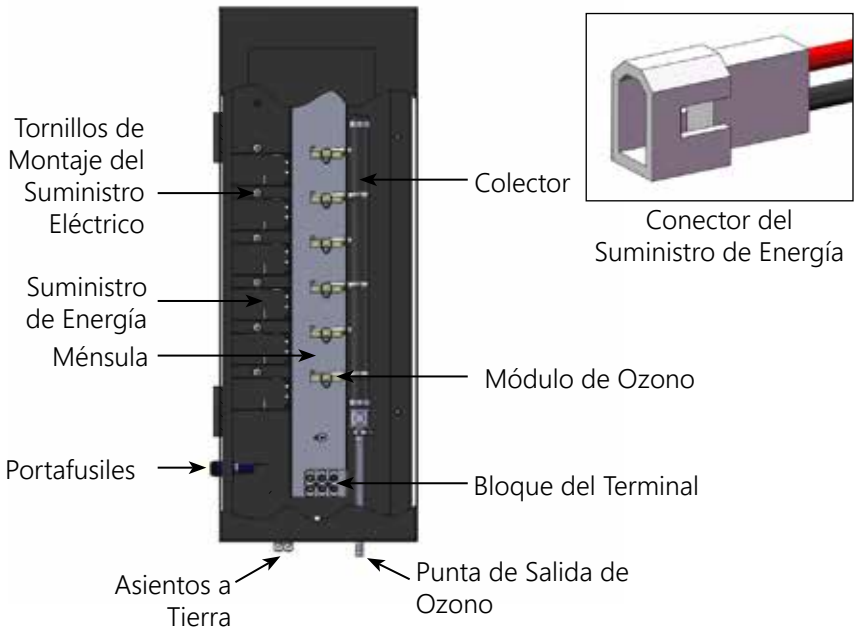


Figure 4: Vista General DEL Ozono

4C-2. Reemplazo del módulo de ozono

El Ozono 25, Ozono 50 y Ozono 100 tienen 2, 4 y 6 módulos de ozono, respectivamente. Cuando se apaga la luz verde del indicador, entonces tendrá que reemplazar el módulo de ozono correspondiente. Cómo reemplazar el módulo de ozono:

1. desconecte el módulo de ozono desde el colector y jale el módulo de ozono fuera de la ménsula, para que cuelga de los alambres.
2. Busque el conector de suministro de electricidad y desconéctelo del arnés de cableado.
3. Quite el tornillo de montaje al suministro eléctrico, asegúrese de observar las posiciones del espaciador plástico y la estrella de la arandela para volverlo a armar adecuadamente. Ahora ya puede quitar el módulo de ozono y el suministro de energía de la unidad.
4. Instale el nuevo módulo de ozono siguiendo los pasos inversos de arriba.

4D. Solución de problemas

Se requiere contar con conocimiento de aplicaciones eléctricas para la resolución de problemas. Contacte un electricista calificado si no está seguro de su habilidad para dar servicio al equipo. El servicio inadecuado anulará la garantía del generador. Si cualquier condición persiste, póngase en contacto con el soporte técnico DEL (consulte la sección 4E).

4D-1 Síntoma: Las luces indicadoras del módulo no se encienden cuando el sistema de la piscina está encendido.

1. El generador de ozono no está recibiendo energía de la fuente de corriente eléctrica.
 - a. Revise el interruptor automático en la caja de distribución de energía.
 - b. Revise si existen conexiones sueltas o cables rotos desde la caja de distribución de energía hacia el generador.
 - c. El fusible de la unidad se fundió y necesita remplazarse. El fusible es un vidrio remplazable, .25" x 1.25", 1 amp. tipo Slo-Blo.
2. G.F.C.I. se activó.
 - a. Revise el cable de suministro y restablezca el G.F.C.I.

4D-2 Síntoma: El medidor de flujo no está indicando flujo.

1. El inyector no está proporcionando suficiente succión.
 - a. Revise la bomba, filtros y espumador para asegurarse de que el agua fluya a través del inyector.
 - b. Asegúrese de que no existan residuos dentro del inyector.
2. La tubería está estropeada.
 - a. Revise si existen obstáculos o atascamientos.
 - b. Revise si existen grietas o cortadas.
 - c. Revise las conexiones.
 - d. Revise que la válvula de retención esté instalada con la flecha apuntando hacia el inyector.
 - e. Asegúrese de que la válvula de retención no se ha tapado con desechos. Desconecte el tubo de ozono del inyector. Con la bomba encendida, cubra el extremo del inyector con el pulgar y sienta la succión. Si existe suficiente succión sin la válvula de retención, remplace la válvula de retención con una nueva.

4D-3 Síntoma: El tubo de ozono se pone amarillo/café y quebradizo.

1. La alta concentración de ozono generada por la familia de generadores de ozono DEL Ozone al igual que las condiciones ambientales como la luz ultravioleta tenderán a deteriorar el tubo de ozono provisto. Esto es normal y aceptable, siempre y cuando el tubo no se agriete y tenga fugas. Debido a esto, debería reemplazar el tubo de ozono y la válvula de retención cada año.

4D-4 Síntoma: No puedo hacer que la bola se mantenga en el centro del medidor de flujo.

1. El medidor de flujo provisto es una herramienta general para configurar el flujo del generador de ozono. El flujo variará dependiendo de las presiones a lo largo del inyector, y por lo tanto puede verse afectada por cosas como el filtro o la carga del colador. La eficiencia del generador de ozono se optimiza cerca del centro del medidor de flujo. El generador ozono DEL Ozone seguirá desempeñándose bien a flujos arriba y debajo del rango recomendado. Sin embargo, la bola debe moverse y no quedarse en el fondo del medidor de flujo.

4E. Información de contacto

Para asistencia técnica:

- Llame: (805) 541-1601 ext. 293 o (800) 676-1335 ext. 293
- Correo electrónico: warrantysupport@delozone.com
- O visite nuestro sitio web en: www.delozone.com

5A. Información para pedidos

Para encontrar un distribuidor cercano a usted, llame al 1.800.676.1335 o visite www.delozone.com.

Este preparado con la siguiente información:

- Nombre
- Fecha de compra
- Dirección
- Nombre del distribuidor
- No. de modelo

5B. Lista estándar de piezas de remplazo:

1. Kit del módulo de ozono..... 9-1056-01
Cada módulo de ozono deberá remplazarse después de 15,000 horas de uso.
2. Conjunto del tubo de ozono.....9-0770-01
El conjunto del tubo de ozono (incluye tubo de ozono y válvula de retención) debe remplazarse una vez por año.

Nota: La garantía se anula si las piezas enumeradas arriba no se remplazan a los intervalos recomendados.

Apéndice A

Instalación de DEL Ozone – Tuberías

El DEL Ozone trabaja bajo vacío. El colector del inyector atrae la mezcla de gas de ozono/aire fuera del generador del ozono y la mezcla dentro del agua dejando atrás algo de burbujas de gas sin disolver. Estas burbujas pueden afectar ciertos componentes del sistema de la piscina, por lo tanto se debe tener cuidado al instalar el colector del inyector de ozono.

Los diagramas a continuación cubren las configuraciones de plomería más comunes. Para ver otras configuraciones o si tiene preguntas sobre instalación, llame al departamento de Soporte Técnico de DEL Residential Pool & Spa al 1 (800) 676-1335, ext. 293, o por correo electrónico a: warrantysupport@dellozone.com

- 1 Limpiadores para piscina** (p.e. Polaris 360): instale siempre el accesorio en T del limpiador antes del inyector DEL Ozone para evitar que el gas afecte la operación del limpiador.
- 2 Clorinador de sal:** puede instalar un clorinador de sal en cualquier costado del inyector DEL Ozone.
- 3 Alimentador de tabletas de cloro / erosión mineral:** siempre instale el inyector DEL Ozone después del alimentador de erosión para evitar la acumulación de gas en el alimentador.
- 4 Sistema de limpieza en el piso:** el inyector DEL Ozone debe estar un tramo de regreso diferente de la piscina de cualquier sistema de limpieza en el piso para evitar la contrapresión excesiva sobre el inyector. Esto evitará además la intrusión del gas y altos niveles de oxidación en la zona de la válvula y las cabezas del limpiador.
- 5 Características del agua:** evite instalar el colector del inyector sobre cualquier tramo con contrapresión excesiva como aquellos dirigidos a fuentes, accesorios restringidos de pared, etc.

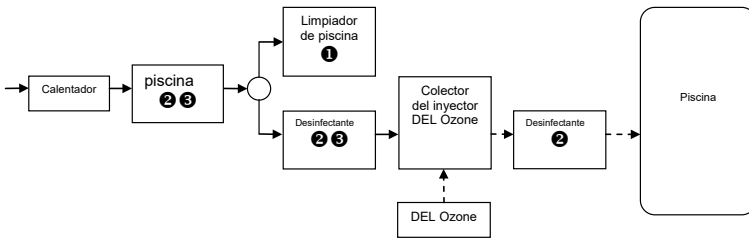
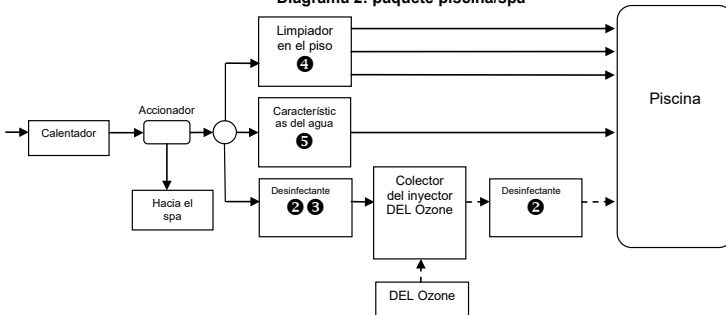


Diagrama 2: paquete piscina/spa





CMP, LLC
36 HERRING ROAD, NEWNAN, GA 30265
WWW.C-M-P.COM/DEL

1217Im